

BIL-JAX[®]

MASON-JAX[™]

**ADJUSTABLE MASONRY SCAFFOLD
OPERATION MANUAL**

LL-204-82

A STEP ABOVE[™]

125 Taylor Parkway • Archbold, OH 43502 U.S.A.
Phone (419) 445-8915 • (800) 537-0540
Fax (419) 445-0367

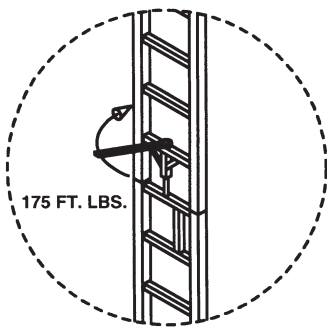
MASON-JAX™

AUTOMATED MASONRY SYSTEM

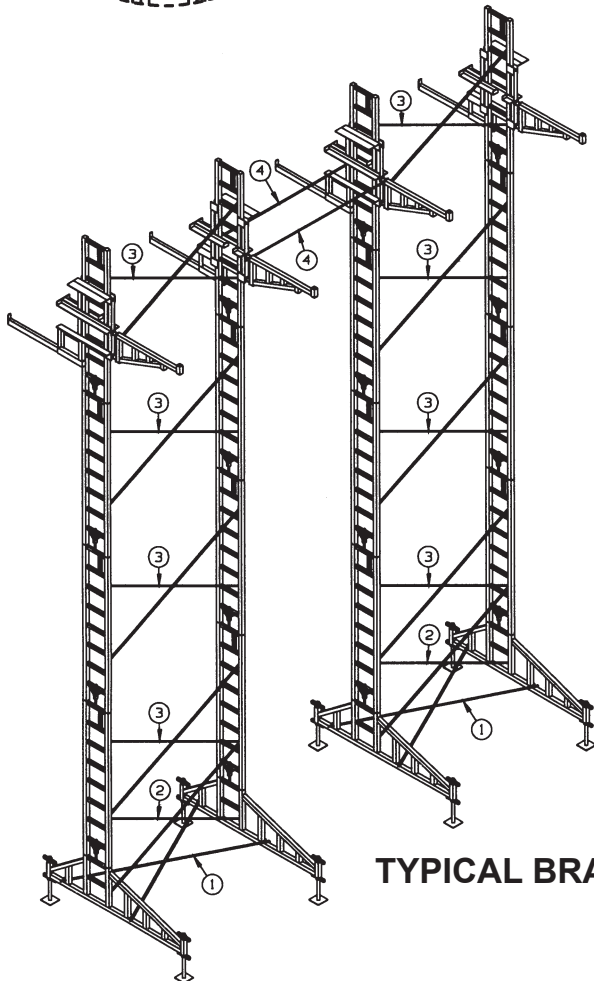
WARNING: IMPROPER USE OF THIS EQUIPMENT WILL RESULT IN SERIOUS INJURY OR DEATH.

ASSEMBLY:

- DO NOT use damaged or deteriorated equipment.
- Begin assembly with leveling jacks and mud sills. Secure leveling jacks to mud sills.
- DO NOT use unstable objects under leveling jacks and/or mud sills.
- The footing must be sound, rigid, and capable of carrying the maximum intended load without settling or displacement.



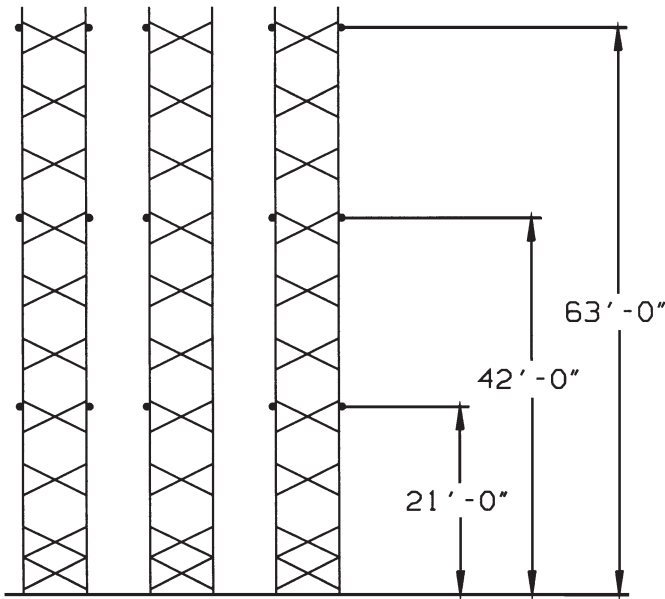
- Use only leveling jacks (maximum extension of 12 inches) to adjust to uneven surfaces.
- All tower sections must be secured together by threading connecting bolt through nut in previous tower or base and tightening to at least 175 ft. lbs.
- DO NOT use tower if connecting bolt or nut is damaged and/or will not tighten.



TYPICAL BRACING DIAGRAM

- Bracing must be used in the following manner:
 1. A diagonal brace must be secured between and perpendicular to pairs of bases to ensure squareness. (Applies to closed bay only.)
 2. A diagonal brace must be secured across the splice that joins the base to the first tower. (Applies to closed bay only.)
 3. A diagonal brace must be secured between each set of towers. (Applies to closed bay only.)
 4. Two horizontal braces must be secured between carriages. (Applies to open bay only.)

WALL TIE AND HORIZONTAL BRACING DIAGRAM



- Maximum free standing height equals 3 times the smallest base dimension.
- When height exceeds 3 times the smallest base dimension, scaffold must be restrained from tipping by factory approved methods (see above diagram).
- Horizontal bracing is required in open bay every 21' of height (see above diagram).
- For heights that require more than 9 towers (63'), consult factory for additional diagonal and horizontal bracing instruction.
- Before raising the platform, ensure towers are plumb.
- Before raising, ensure the following:
 1. The cable is free of any defects such as kinks, broken strands, flat spots, or any other defect that could reduce strength.

2. Winch is securely attached to carriage with four connecting bolts.

3. The safety dog is present and operable.

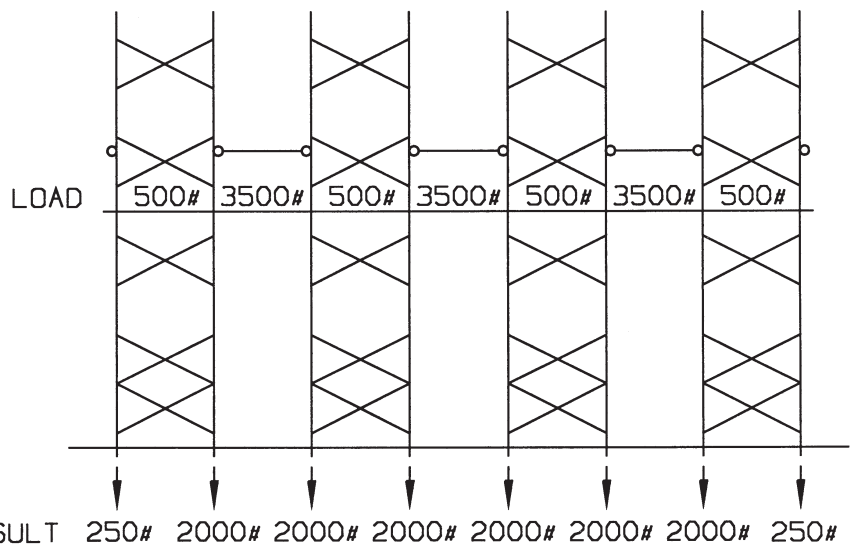
4. The pinning device is present and operable.

5. Tender platform is pinned to carriage at each tower; retainer bolt is present on mason platform.

- Install all guard rails, end guards, and toeboards prior to use.
- When "jumping" cable, the only approved method of blocking the load is with pinning device located on carriage.
- After the cable has been placed in service and is under tension, the nuts on the 3 wire rope clips attached to the cathead unit should be tightened to compensate for any decrease in rope diameter caused by loading. This should be done before each use and after the initial load has been applied.

CAPACITIES:

- Heights greater than 125' must be certified by a registered Professional Engineer.
- Platforms rated capacity = 2,000 lbs. / tower. (Capacity includes men, tools and materials.) (An allowance of 4.2 lbs. / foot has been made for boards.)
- Structural capacity based on a 4 to 1 safety factor.
- Cable capacity based on a 6 to 1 safety factor.



**TYPICAL LOADING
SCHEME**

USE:

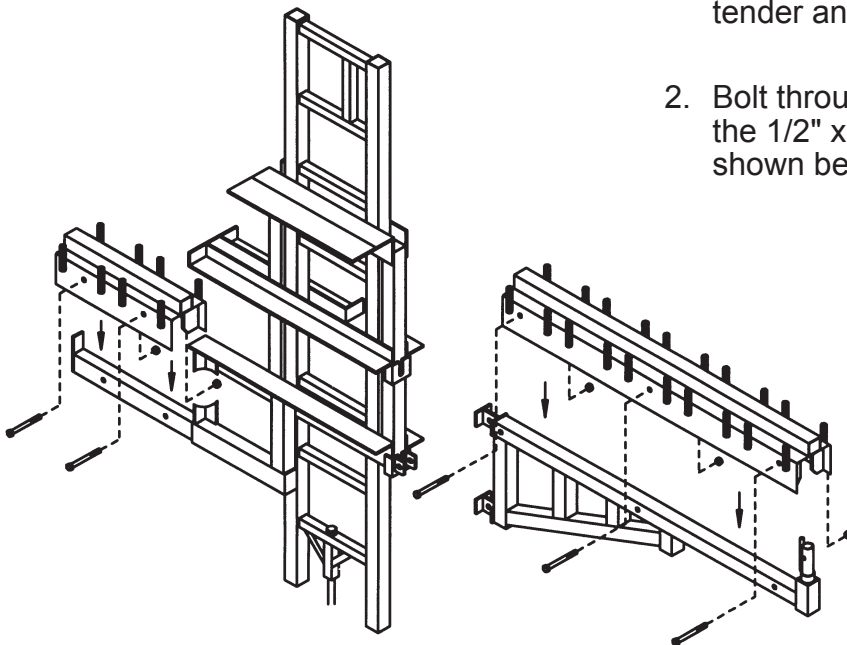
METAL CONDUCTS ELECTRICITY! DO NOT USE WHERE EQUIPMENT OR USER MAY CONTACT POWER LINES OR OTHER LIVE ELECTRICAL CIRCUITS.

- Inspect scaffold daily and before each use.
- **DO NOT** alter or override safety devices under any circumstances.
- **DO NOT** use wire, rope, or any other type of tie down device to modify the intended function of safety dog, pinning device, winch, crank, or any other Mason-Jax component. If all components are not functioning properly, product malfunction such as free wheeling descent could occur.
- **DO NOT** use without guard rails or toeboards installed.
- **DO NOT** sit or stand on guard rails.
- **DO NOT** stand on or climb crossbraces.
- **DO NOT** use crossbraces for a platform support.
- **DO NOT** exert horizontal force on top of a free standing scaffold.
- **DO NOT** use boxes, ladders, or any other means to increase the working height.
- **DO NOT** overload - check with factory for safe working loads.
- **DO NOT** place loads cantilevered beyond outermost edge of tender platform.
- **DO NOT** apply shock load. When stocking materials, ease loads onto platform.
- Carriages and towers move in opposite directions. Keep body parts, clothing, materials, etc. clear of these parts.
- Immediately replace a guard rail and toeboard after loading tender platform.
- Access scaffold platform only by independent scaffold stair tower, through building wall opening, or by extension ladder. **DO NOT CLIMB TOWER SECTIONS OR CROSS BRACES TO ACCESS PLATFORM.**

IN ADDITION TO THE ABOVE, FOLLOW ALL FEDERAL, OSHA, STATE AND LOCAL CODES AND REGULATIONS FOR THE PROPER USE OF THIS EQUIPMENT.

OPTIONAL EQUIPMENT

LEVEL BOARD SYSTEM



1. Slide the level board brackets onto the tender and mason's brackets.
2. Bolt through the level board adaptors with the 1/2" x 6-3/4" long hex bolts and nuts as shown below.

! WARNING

Failure to bolt level board adaptors to tender and mason's brackets may result in serious injury or death.